

3VTV-02 (Vertical polarization) VHF PANEL ANTENNA

FEATURES

- vertical polarization
- broadband 174 ÷ 240 MHz
- 8 dB gain
- directional pattern
- suitable as a component in various arrays
- suitable also for horizontal polarization



ELECTRICAL DATA

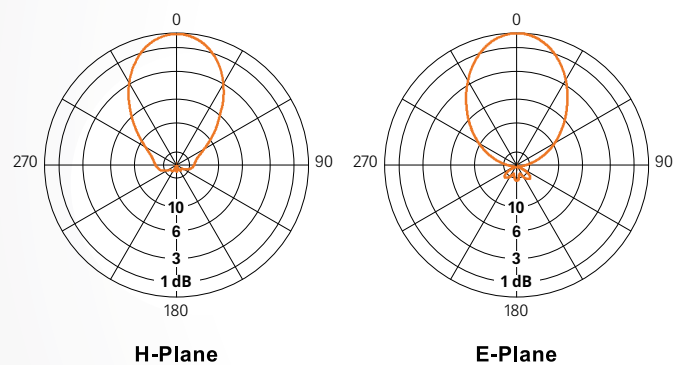
ANTENNA TYPE	3VTV-02
FREQUENCY RANGE	174 ÷ 240 MHz
IMPEDANCE	50 ohm
CONNECTOR	7/8" EIA
MAX POWER	3 kW
VSWR	≤ 1.1 (174 ÷ 230 MHz) ≤ 1.2 (up to 240 MHz)*
POLARIZATION	Vertical
GAIN (referred to half wave dipole)	8 dB
HALF POWER BEAMWIDTH	E-Plane ± 32° H-Plane ± 30°
LIGHTNING PROTECTION	All Metal Parts DC Grounded

* on request

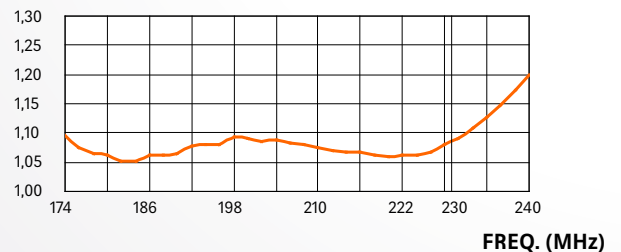
MECHANICAL DATA

DIMENSIONS mm (in)	1300 x 1300 x 535 (51.2 x 51.2 x 21.1)
WEIGHT kg (lb)	29 (64)
WIND SURFACE m ² (ft ²)	0.85 (9.1) front 0.51 (5.5) side
WIND LOAD kN (lbf) at 160 km/h (100 mph)	1.07 (241) front 0.63 (142) side
MAX WIND VELOCITY km/h (mph)	220 (136.7)
MATERIALS	Reflector (hot dip galvanized steel) Dipole (stainless steel) Internal parts (silver plated brass, deoxidized aluminium) Radome (fiberglass)
ICING PROTECTION	Feed point radome
RADOME COLOUR	Grey (standard)
MOUNTING	Directly on supporting mast or tower

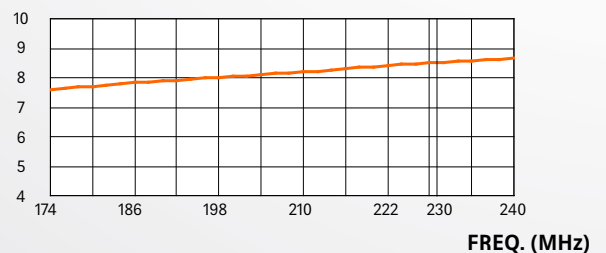
RADIATION PATTERNS (Mid Band)



VSWR



GAIN (dB)



3VTV-02 (Vertical polarization) VHF PANEL ANTENNA

FEATURES

- radiating systems with 3VTV-02 panel
- high power antenna systems
- omnidirectional or directional patterns
- equal or unequal power split ratio distribution network



3VTV-02V/8 (8x1)
MONTE FAITO, ITALY

ELECTRICAL DATA

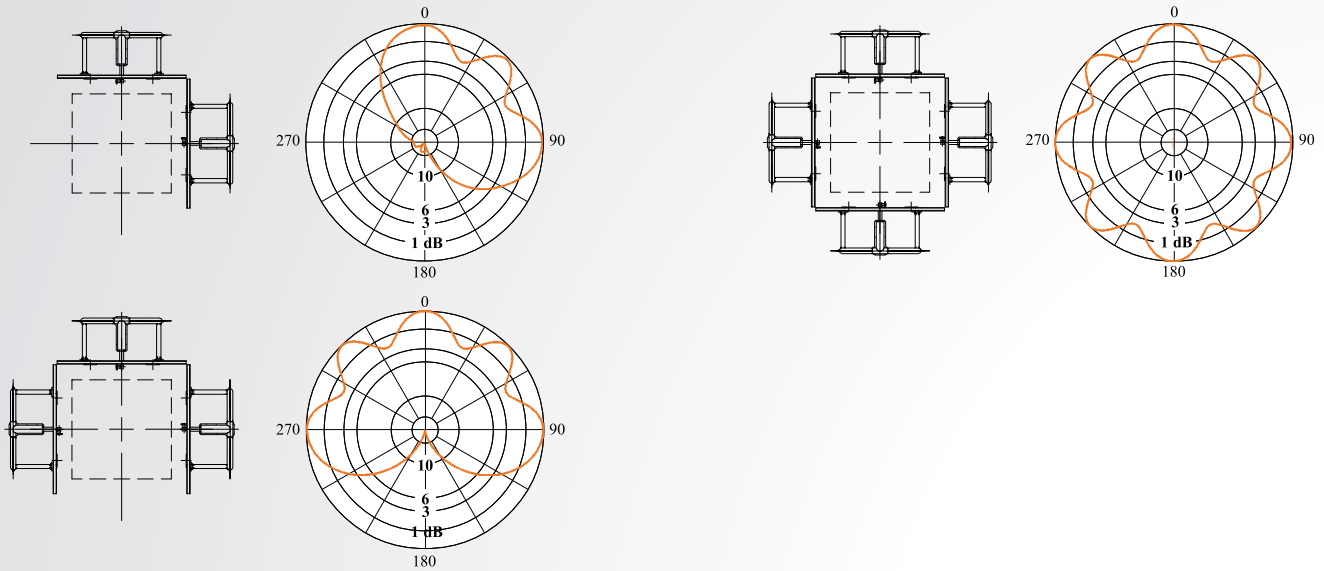
FREQUENCY RANGE	174 ÷ 240 MHz
IMPEDANCE	50 ohm
CONNECTOR	EIA flange according to system power rating
POWER RATING	The antenna system can accept any power according to requirements
VSWR	≤ 1.1 in the operating channels or ≤ 1.15 Throughout the frequency range (Lower figures for individual channels on request)
POLARIZATION	Vertical
GAIN	Refer to table
HORIZONTAL PATTERN	Any type according to requirement
VERTICAL PATTERN	Null fill, beam tilt and special requirements to order
OTHER FEATURES	The antenna system can be supplied in split feed configuration with two equal halves Each half can accept full power

MECHANICAL DATA

HEIGHT OF ARRAY	Subject to number of bays
TOTAL NET WEIGHT	Refer to table
WIND LOAD	Refer to table
PRESSURIZABLE	Yes
RADOME COLOUR	Grey (standard)
MOUNTING HARDWARE	Available upon request

3VTV-02 (Vertical polarization) VHF PANEL ANTENNA

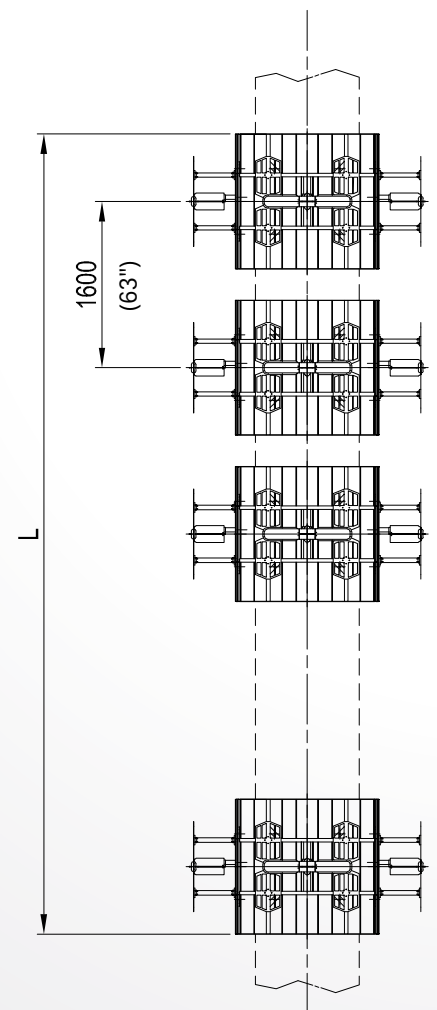
HORIZONTAL PATTERNS WITH 2, 3 AND 4 FACES AT 202 MHz



TECHNICAL DATA

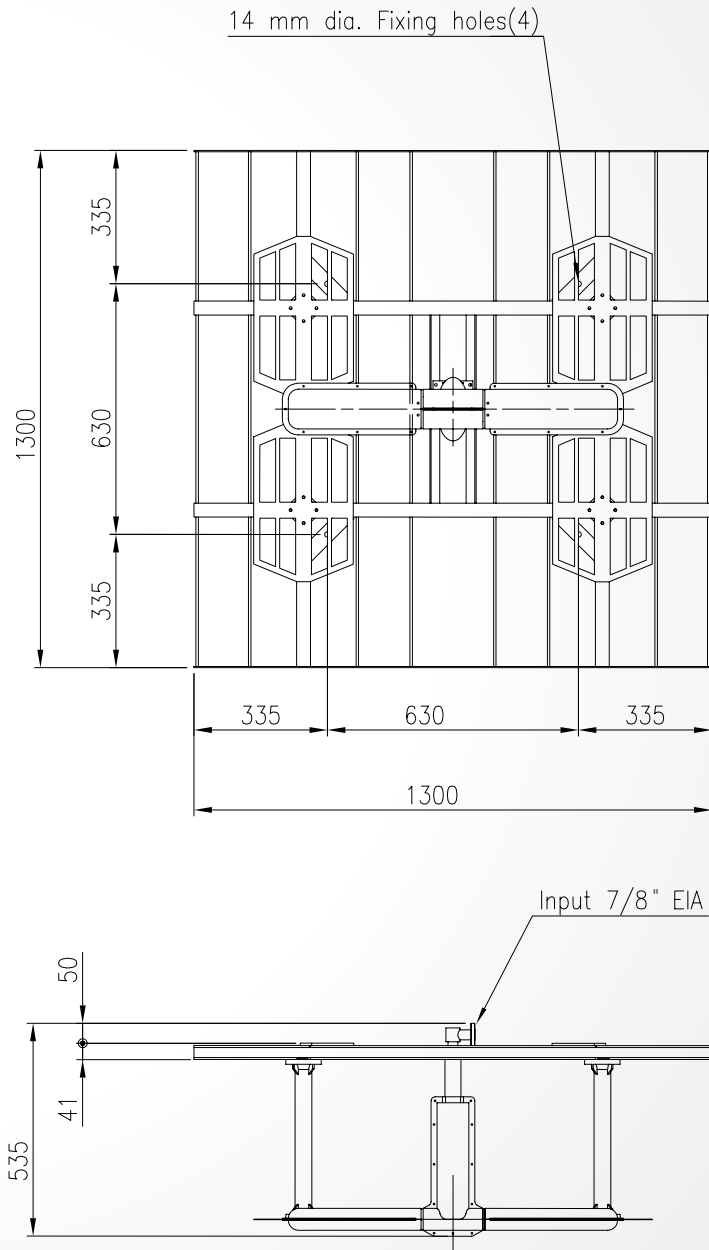
NUMBER OF BAYS	PANELS PER BAY	GAIN dB (1)	GAIN TIMES (1)	WEIGHT (2) kg (lb)	ANTENNA HEIGHT L m (ft)	WIND LOAD (3) kN (lbf)
2	1	11	12.6	70 (154)	2.9 (9.5)	2.13 (479)
	2	8	6.3	135 (298)		3.60 (809)
	3	6.2	4.2	200 (441)		4.70 (1057)
	4	5	3.2	270 (595)		5.76 (1295)
4	1	14	25.1	135 (298)	6.1 (20)	4.27 (960)
	2	11	12.6	270 (595)		7.15 (1607)
	3	9.2	8.3	420 (926)		9.40 (2113)
	4	8	6.3	610 (1345)		11.54 (2594)
6	1	15.9	38.9	200 (441)	9.3 (30.5)	6.41 (1441)
	2	12.9	19.5	420 (926)		10.84 (2437)
	3	11.1	12.8	690 (1521)		14.10 (3170)
	4	9.9	9.8	860 (1896)		17.32 (3894)
8	1	17	50.1	270 (595)	12.5 (41)	8.55 (1922)
	2	14	25.1	610 (1345)		14.47 (3253)
	3	12.2	16.6	860 (1896)		18.80 (4226)
	4	11	12.6	1115 (2458)		23.12 (5198)
12	1	18.9	77.6	420 (926)	18.9 (62)	12.83 (2884)
	2	15.9	38.9	860 (1896)		21.72 (4883)
	3	14.1	25.7	1380 (3042)		28.16 (6331)
	4	12.9	19.5	1720 (3792)		34.65 (7790)
16	1	20	100	610 (1345)	25.3 (83)	17.11 (3846)
	2	17	50.1	1115 (2458)		28.92 (6501)
	3	15.2	33.1	1720 (3792)		37.57 (8446)
	4	14	25.1	2225 (4905)		46.19 (10384)

(1) referred to half wave dipole. Losses of power distribution network not included.
 (2) without mounting hardware
 (3) v= 160 km/h (100 mph)



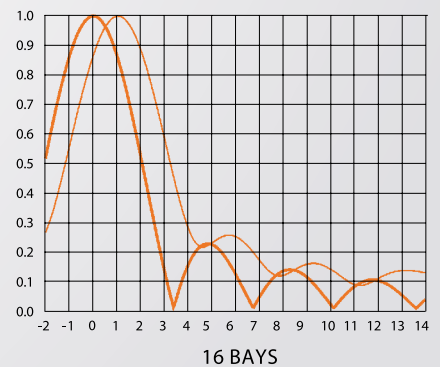
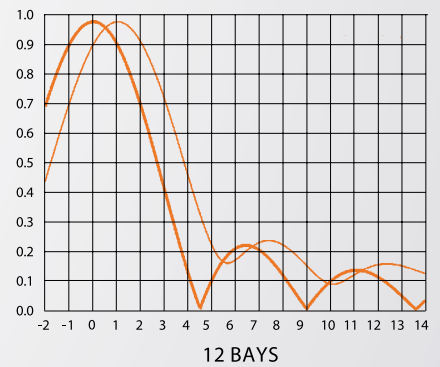
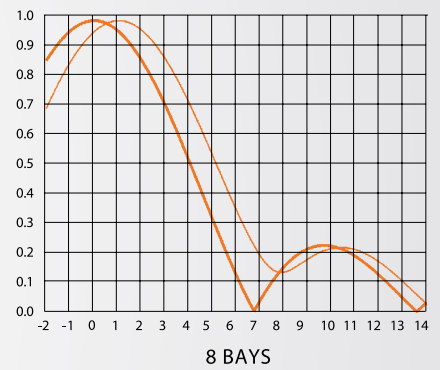
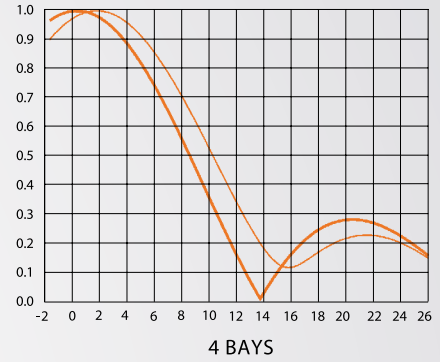
3VTV-02 (Vertical polarization) VHF PANEL ANTENNA

DIMENSIONAL DETAILS



VERTICAL PATTERN

— Without null fill
— With null fill and beam tilt



All dimensions are in millimeters