

# CFM2-0.2

## FM BANDPASS FILTER

### FEATURES

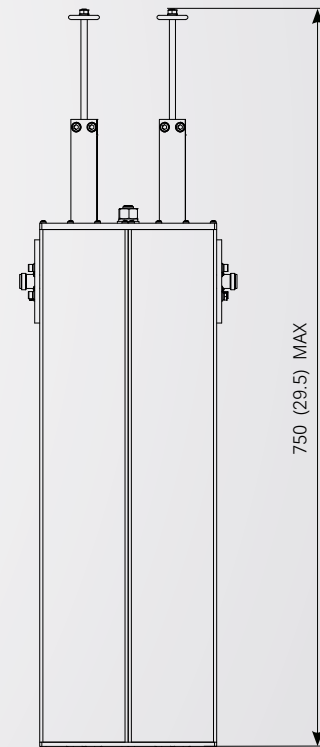
- FM 0.2 kW bandpass filter
- 2 pole / 85 mm (3.3 in)
- adjustable selectivity
- available rack mounting solution



### ELECTRICAL DATA

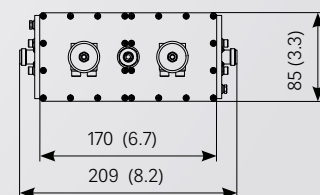
TYPE	CFM2-0.2/AA
FREQUENCY RANGE	87.5 ÷ 108 MHz
IMPEDANCE	50 ohm
RETURN LOSS	≥26 dB at carrier fo
SELECTIVITY stop band atten. 20 dB	± 1.6 ÷ ± 2.0 MHz
MAX INPUT POWER	0.2 kW (selectivity ± 1.6 ÷ ± 2.0 MHz)
INSERTION LOSS	See table below
CONNECTORS	NF
OPERATING TEMPERATURE RANGE	-10 to + 45°C (+14 to +113°F)
OVER TEMPERATURE*	typical 30 K at max input power
MATERIALS	Brass, aluminium, invar, teflon
EXTERNAL FINISHING	Painted RAL 9005
WEIGHT (approx)	5 kg (11 lb)

\* referred to ambient temperature. Recommended: [AmbientTemp. + OverTemp.] ≤70°C (158°F)



### INSERTION LOSS at carrier fo (dB)

FREQUENCY (MHz)		87.5	98	108
SELECTIVITY (MHz)	± 2.0	0.68	0.69	0.70
	± 1.6	0.81	0.82	0.83



All dimensions are in millimeters (inches)