

# FM STAR TYPE COMBINERS – 0.6kW

## FEATURES

- 2, 3 and 4 channel combiners
- 2 or 3 pole / 150 mm (5.9 in)
- temperature compensated
- adjustable selectivity



## GENERAL FEATURES

FREQUENCY RANGE	87.5 ÷ 108 MHz
IMPEDANCE	50 ohm
VSWR	See table
MAX POWER	See table
CONNECTORS*	See table
WEIGHT	See table
OPERATING TEMPERATURE RANGE	-10 to + 45°C (+14 to +113°F)
OVER TEMPERATURE**	typical 30 K at max input power
ISOLATION	See table

\* different connectors upon request

\*\* referred to ambient temperature. Recommended: [AmbientTemp. + OverTemp.] ≤70°C (158°F)

## ELECTRICAL AND MECHANICAL DATA

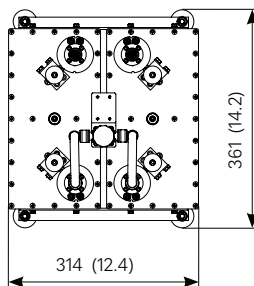
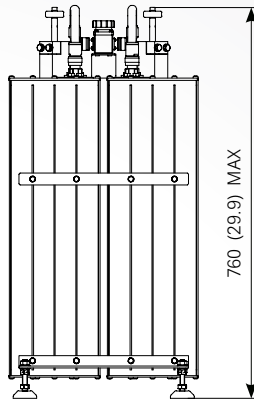
TYPE	FREQUENCIES		MAX POWER PER CHANNEL (kW)	V.S.W.R INPUT at fo	ISOLATION BETWEEN FREQ. (dB)	INSERTION LOSSES at fo (dB)	CONNECTORS* INPUTS / OUTPUT	WEIGHT (approx) kg (lb)
	SPACING (MHz)							
DPLX UC/FM/ST2-0.6	≥ 3.0	0.6	≤ 1.08	≥30	≤ 0.58	NF – 7/16 F	25 (55)	
	≥ 2.0	0.6	≤ 1.08	≥ 30	≤ 0.68			
DPLX UC/FM/ST3-0.6	≥ 2.0	0.6	≤ 1.08	≥ 30	≤ 0.66	NF – 7/16 F	40 (88)	
	≥ 1.6	0.6	≤ 1.08	≥ 30	≤ 0.82			
TPLX UC/FM/ST2-0.6	≥ 3.0	0.6	≤ 1.08	≥ 30	≤ 0.63	NF – 7/16 F	40 (88)	
	≥ 2.0	0.6	≤ 1.08	≥ 30	≤ 0.73			
TPLX UC/FM/ST3-0.6	≥ 2.0	0.6	≤ 1.08	≥ 30	≤ 0.71	NF – 7/16 F	60 (132)	
	≥ 1.6	0.6	≤ 1.08	≥ 30	≤ 0.87			
QPLX UC/FM/ST2-0.6	≥ 3.0	0.6	≤ 1.08	≥ 30	≤ 0.68	NF – 7/16 F	56 (123)	
	≥ 2.0	0.6	≤ 1.08	≥ 30	≤ 0.78			
QPLX UC/FM/ST3-0.6	≥ 2.0	0.6	≤ 1.08	≥ 30	≤ 0.76	NF – 7/16 F	80 (176)	
	≥ 1.6	0.6	≤ 1.08	≥ 30	≤ 0.92			
	≥ 1.2	0.6	≤ 1.08	≥ 30	≤ 1.20			

\* different connectors upon request

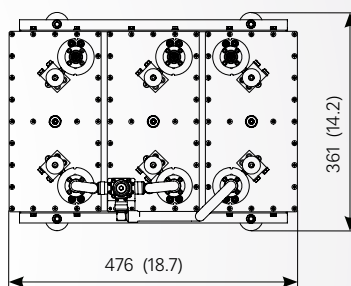
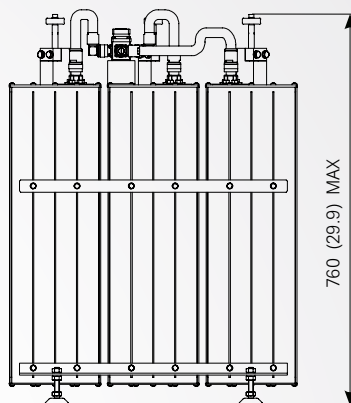
# FM STAR TYPE COMBINERS – 0.6kW

## MECHANICAL LAYOUT

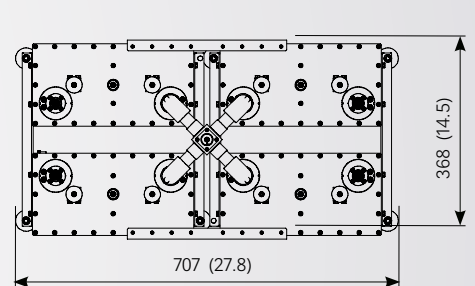
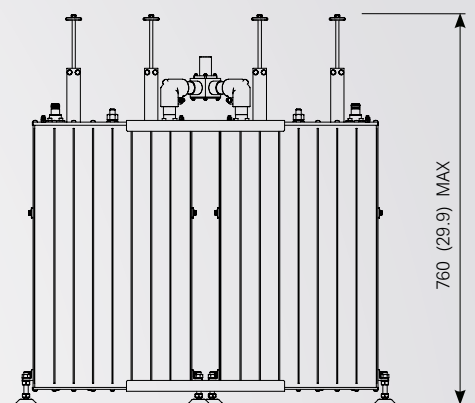
DPLX UC/FM/ST2 – 0.6



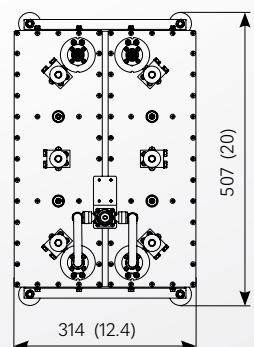
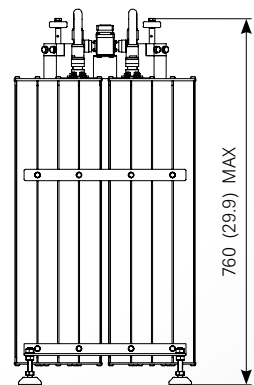
TPLX UC/FM/ST2 – 0.6



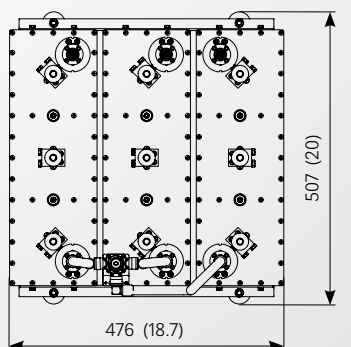
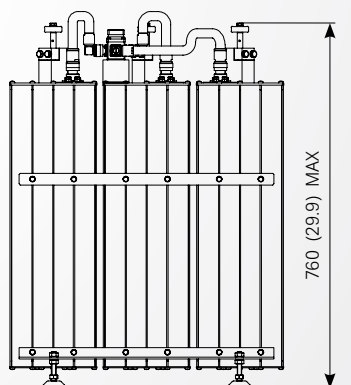
QPLX UC/FM/ST2 – 0.6



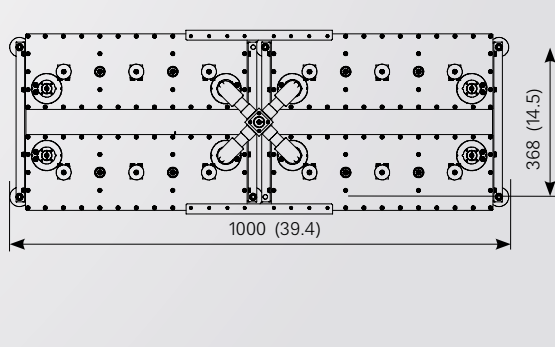
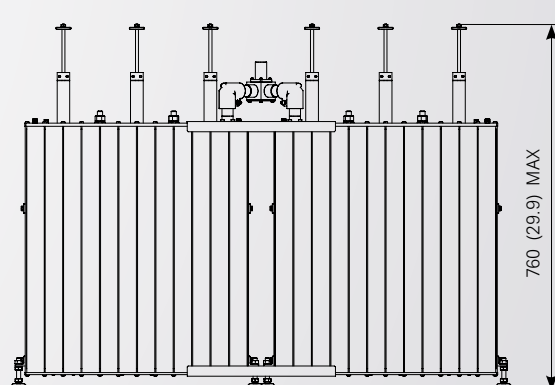
DPLX UC/FM/ST3 – 0.6



TPLX UC/FM/ST3 – 0.6



QPLX UC/FM/ST3 – 0.6



All dimensions are in millimeters (inches)