

MANUAL SWITCHES

FEATURES

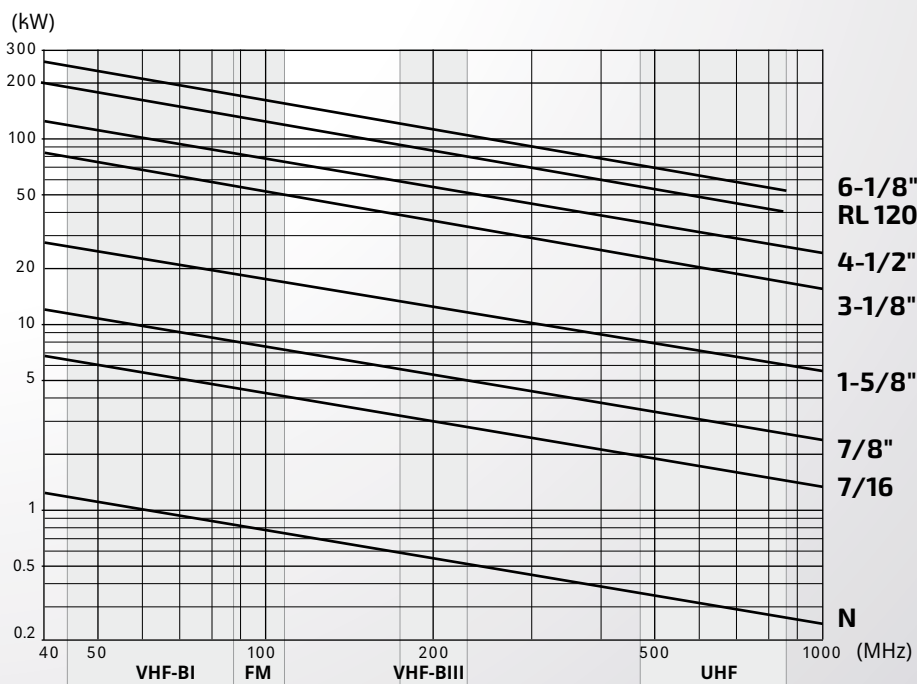
- unflanged type
- low insertion loss
- low V.S.W.R
- indoor applications
- easy and quick lock and unlock system



GENERAL FEATURES

FREQUENCY RANGE	0.1 ÷ 860 MHz
IMPEDANCE	50 ohm
RETURN LOSS (in the operating channel)	≥ 32 dB
MAX MEAN POWER	See table below
CONNECTORS	See table
WEIGHT	See table
OPERATING TEMPERATURE RANGE	-40 to +70° C (-40 to +158° F)
MATERIALS	- Support frame Available on request
	- Supporting plate Aluminium
	- External body Polished copper, polished brass
	- Inner conductor Silver plated brass, silver plated aluminium
- Insulating material Teflon	
EXTERNAL FINISHING	Painted RAL 9005, Surtec 650

MAX MEAN POWER



STANDARD CONDITIONS:

- V.S.W.R. = 1.0
- Ambient temperature 40°C (104°F)
- Atmospheric Pressure, dry air
- Inner Conductor Temperature 120°C (248°F)

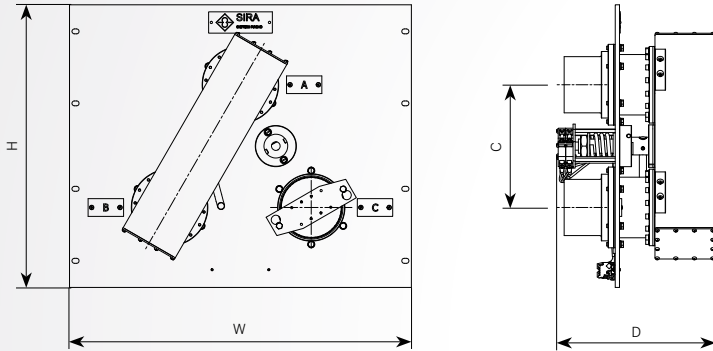
MANUAL SWITCHES

3 PORTS / 1 U-LINK MANUAL SWITCHES

TYPE	U-LINKS	PORTS	DIMENSIONS mm (in)				WEIGHT Kg (lb)	RF OPERATING VOLTAGE (kV)	DC VOLTAGE (kV)
	TYPE	TYPE	H	W	D	C			
CMT-41/B/Z	7/8"	7/16	132.5 (5.2)	482.6 (19)	101 (4.0)	0 (0)	3 (6.6)	1.5	3
CMT-41/C/U/Z	7/8"	7/8" UNFL	132.5 (5.2)	482.6 (19)	120 (4.7)	0 (0)	3 (6.6)	2.7	4
CMT-01/U/Z	1-5/8"	1-5/8" UNFL	132.5 (5.2)	482.6 (19)	240 (9.4)	150 (5.9)	5 (11)	5.2	7
CMT-11/U/Z	3-1/8"	3-1/8" UNFL	399 (15.7)	482.6 (19)	224 (8.8)	200 (7.9)	14 (31)	9.7	14
CMT-21/4/U/Z	5"	4-1/2" UNFL	488 (19.2)	482.6 (19)	327 (12.9)	250 (9.8)	29 (64)	12.5	19
CMT-31/VHF/U/Z*	6-1/8"	6-1/8" UNFL	580 (22.8)	715 (28.1)	348 (13.7)	300 (11.8)	34 (75)	17	25
CMT-31/UHF/U/Z*	6-1/8"	6-1/8" UNFL	580 (22.8)	715 (28.1)	348 (13.7)	300 (11.8)	34 (75)	17	25

* VHF up to 254 MHz UHF= 470 ÷ 780 MHz

3 PORTS / 1 U-LINK MANUAL SWITCHES

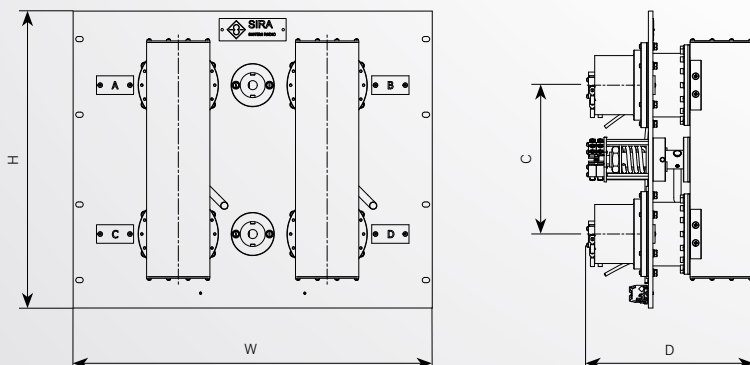


4 PORTS / 2 U-LINK MANUAL SWITCHES

TYPE	U-LINKS	PORTS	DIMENSIONS mm (in)				WEIGHT Kg (lb)	RF OPERATING VOLTAGE (kV)	DC VOLTAGE (kV)
	TYPE	TYPE	H	W	D	C			
CMT-42/B/Z	7/8"	7/16	310.5 (12.2)	482.6 (19)	101 (4)	116.4 (4.6)	6 (13)	1.5	3
CMT-42/C/U/Z	7/8"	7/8" UNFL	310.5 (12.2)	482.6 (19)	120 (4.7)	116.4 (4.6)	6 (13)	2.7	4
CMT-02/U/Z	1-5/8"	1-5/8" UNFL	310.5 (12.2)	482.6 (19)	240 (9.4)	150 (5.9)	10 (22)	5.2	7
CMT-12/U/Z	3-1/8"	3-1/8" UNFL	399 (15.7)	482.6 (19)	224 (8.8)	200 (7.9)	19 (42)	9.7	14
CMT-22/4/U/Z	5"	4-1/2" UNFL	532.5 (21)	482.6 (19)	326 (12.8)	250 (9.8)	44 (97)	12.5	19
CMT-32/VHF/U/Z*	6-1/8"	6-1/8" UNFL	600 (23.6)	715 (28.1)	348 (13.7)	300 (11.8)	53 (117)	17	25
CMT-32/UHF/U/Z*	6-1/8"	6-1/8" UNFL	600 (23.6)	715 (28.1)	348 (13.7)	300 (11.8)	53 (117)	17	25

* VHF up to 254 MHz UHF=470 ÷ 780 MHz

4 PORTS / 2 U-LINKS MANUAL SWITCHES



MANUAL SWITCHES

5 PORTS / 2 U-LINK MANUAL SWITCHES

TYPE	U-LINKS	PORTS	DIMENSIONS mm (in)				WEIGHT Kg (lb)	RF OPERATING VOLTAGE (kV)	DC VOLTAGE (kV)
	TYPE	TYPE	H	W	D	C			
CMT-03/U/Z	1-5/8"	1-5/8" UNFL	310.5 (12.2)	482.6 (19)	240 (9.4)	150 (5.9)	11 (24)	5.2	7
CMT-13/U/Z	3-1/8"	3-1/8" UNFL	390 (15.4)	615 (24.2)	224 (8.8)	200 (7.9)	22 (49)	9.7	14

5 PORTS / 2 U-LINKS
MANUAL SWITCHES

