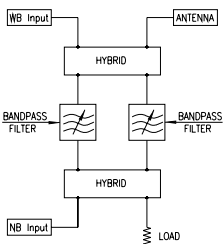


# UC/FM/LB2-4

## FM DIRECTIONAL FILTER TYPE COMBINER

### FEATURES

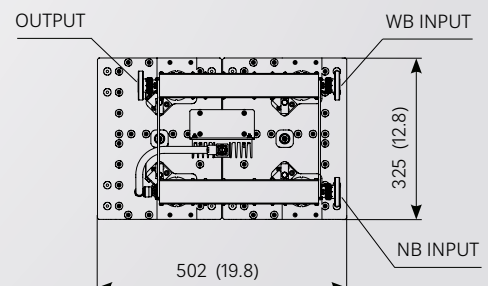
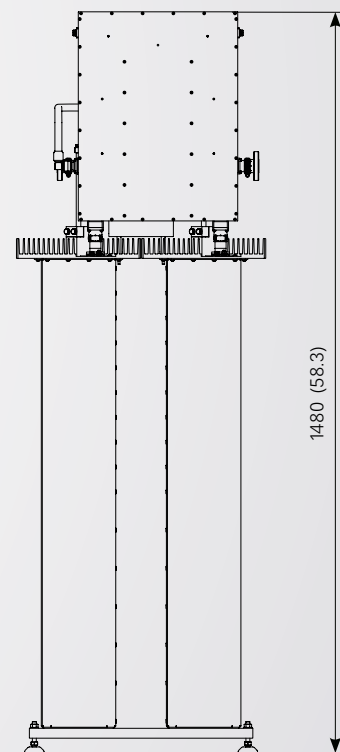
- FM double bridge channel combiner
- 2 pole / 150 mm (5.9 in)
- adjustable selectivity
- temperature compensated



### ELECTRICAL AND MECHANICAL DATA

COMBINER TYPE	UC/FM/LB2-4	
FREQUENCY RANGE	87.5 ÷ 108 MHz	
- wideband input	87.5 ÷ 108 MHz	
- narrowband input	Tunable over entire FM range	
INPUTS AND OUTPUT IMPEDANCE	50 ohm	
RETURN LOSS	≥ 26 dB	
- wideband input	≥ 26 dB	
- narrowband input (at carrier fo)	≥ 28 dB	
INSERTION LOSS (at carrier fo)	≤ 0.50 dB	
NB input with freq. spacing ±2.0 MHz	≤ 0.50 dB	
NB input with freq. spacing ±1.6 MHz	≤ 0.58 dB	
WB input	≤ 0.10 dB	
ISOLATION (at carrier fo)	≥ 32 dB	
- Narrowband input to wideband input	≥ 32 dB	
- Wideband input to narrowband input	≥ 50 dB	
GROUP DELAY	≤ 25 ns at fo ±100 kHz	
(With 1.6 MHz frequency spacing)	≤ 50 ns at fo ±150 kHz	
MAX POWER RATINGS / freq. spacing (MHz)	±2.0	±1.6
- Narrowband input	4 kW	3 kW
- Wideband input	6 kW	6 kW
- Total output	6 kW	6 kW
OPERATING TEMPERATURE RANGE	-10 to + 45°C (+14 to +113°F)	
OVER TEMPERATURE*	typical 30 K at max NB input power	
INPUT PORTS	7/8" EIA	
- Narrowband input	7/8" EIA	
- Wideband input	7/8" EIA	
OUTPUT PORT	7/8" EIA	
WEIGHT (approx)	40 kg (88 lb)	

\* referred to ambient temperature. Recommended: [AmbientTemp. + OverTemp.] ≤ 70°C (158°F)



All dimensions are in millimeters (inches)