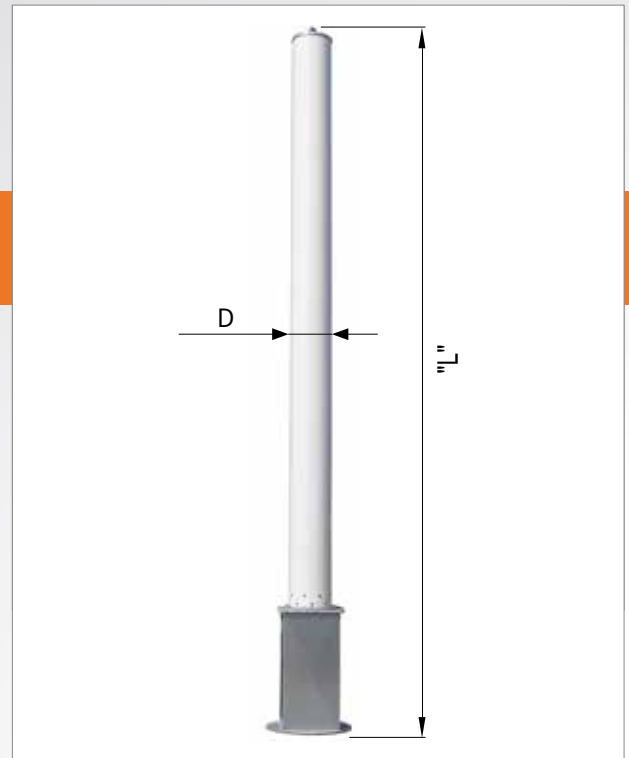


# UTV-11/P

## UHF SUPERTURNSTILE ANTENNA

### FEATURES

- horizontal polarization
- broadband 470 ÷ 860 MHz
- omnidirectional pattern
- self supporting radome
- warning beacon available as optional

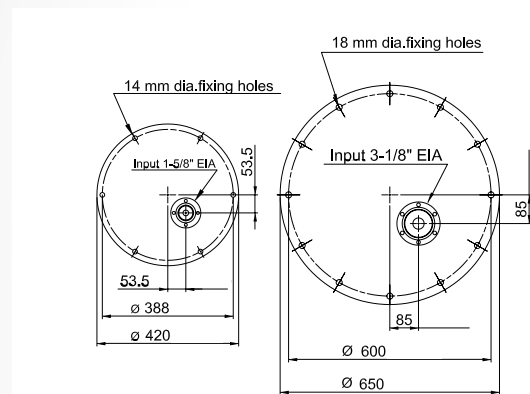


### ELECTRICAL DATA

ANTENNA TYPE	UTV-11/2/P	UTV-11/4/P
FREQUENCY RANGE	470 ÷ 860 MHz	
IMPEDANCE	50 ohm	
CONNECTOR	1-5/8" EIA	3-1/8" EIA
MAX POWER	5 kW	10 kW
VSWR	≤ 1.1	
POLARIZATION	Horizontal	
GAIN (referred to half wave dipole)	8 dB	11 dB
LIGHTNING PROTECTION	All metal parts DC grounded	

### MECHANICAL DATA

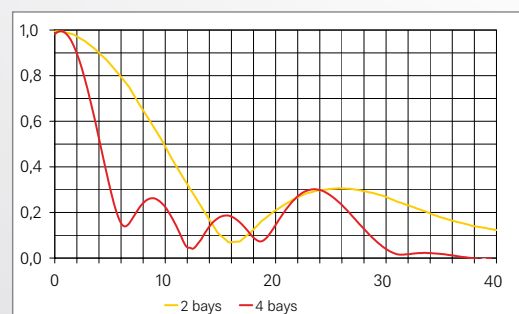
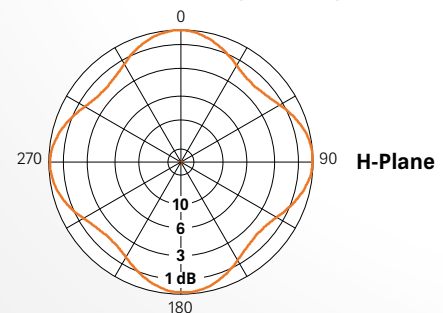
DIAMETER radome "D" mm (in)	330 (13)	330 (13)
ANTENNA HEIGHT "L" mm (in)	2902 (114.3)	5346 (210.5)
WEIGHT kg (lb)	73 (161)	230 (507)
WIND SURFACE m <sup>2</sup> (ft <sup>2</sup> )	0.96 (10.3)	1.85 (19.9)
WIND LOAD kN (lbf) at 160 km/h (100 mph)	0.86 (193)	1.79 (402)
MAX WIND VELOCITY km/h (mph)	220 (136.7)	
MATERIALS	Brass, aluminium, stainless steel, galvanized steel, teflon, fiberglass (radome)	
ICING PROTECTION	Full radome	
RADOME COLOUR	Grey	
MOUNTING	Directly on top of existing mast by means of a flange	



base referred to UTV-11/2/P

base referred to UTV-11/4/P

### RADIATION PATTERNS (Mid Band)



V-Plane

All dimensions are in millimeters