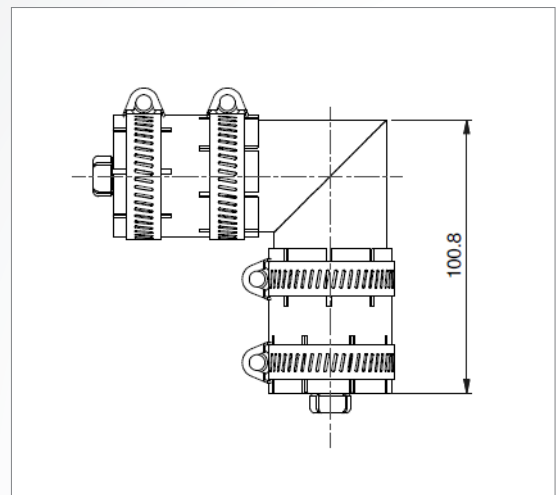
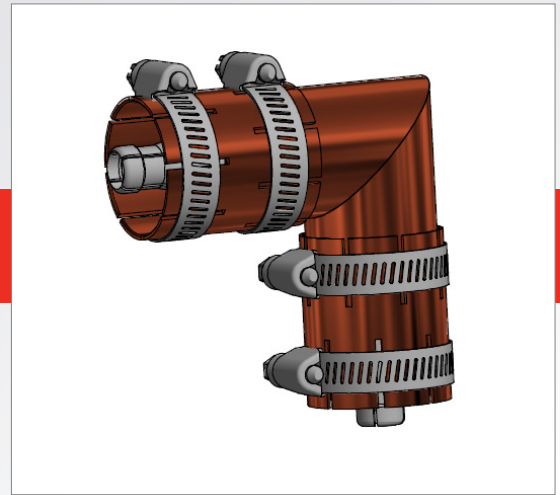


UNFLANGED COAXIAL ELBOW

1-5/8" size, ZERO CUT

FEATURES

- unflanged coaxial elbow 1-5/8"
- low insertion losses
- low V.S.W.R
- indoor applications

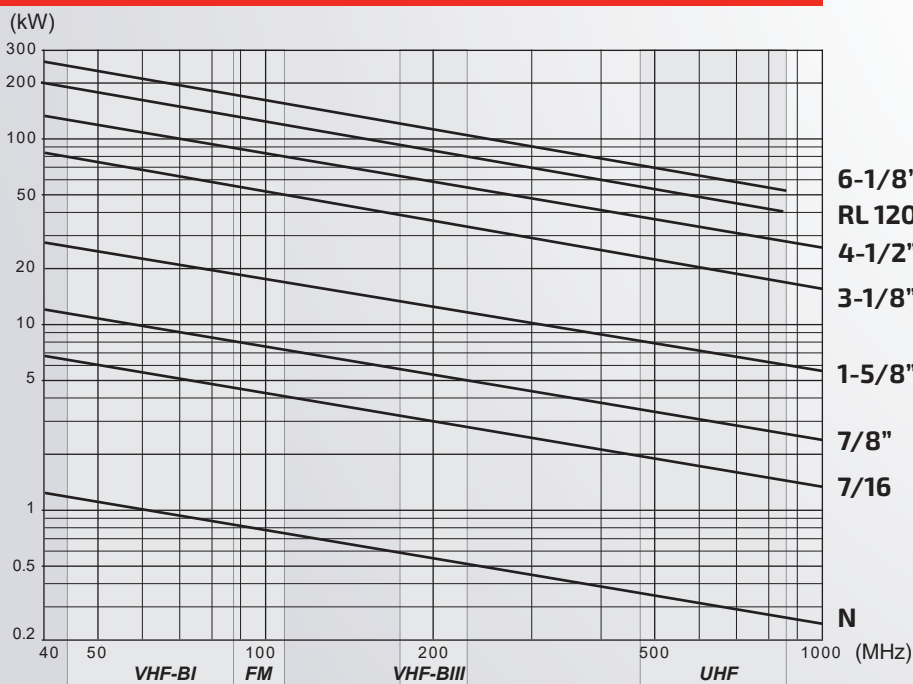


GENERAL FEATURES

| | |
|-----------------------------|--|
| FREQUENCY RANGE | FM BAND 87.5 ÷ 108 MHz |
| IMPEDANCE | 50 ohm |
| RETURN LOSS | ≥ 32 dB |
| MAX MEAN POWER | See table below |
| OPERATING TEMPERATURE RANGE | -40 ÷ +70° C (-40 to +158° F) |
| CONNECTORS | 1-5/8" Unfl. M |
| WEIGHT | 1.0 Kg |
| MATERIALS | - External body Copper / Brass - Inner conductor Silver plated: copper / brass - Insulator High quality virgin Teflon |
| EXTERNAL FINISHING | None / Painted black (optional) |

Note: F = female

MAX MEAN POWER



6-1/8"
RL 120
4-1/2"
3-1/8"
1-5/8"
7/8"
7/16"
N

STANDARD CONDITIONS:

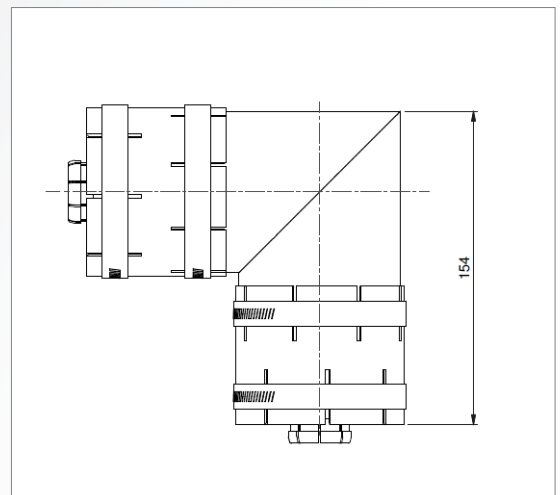
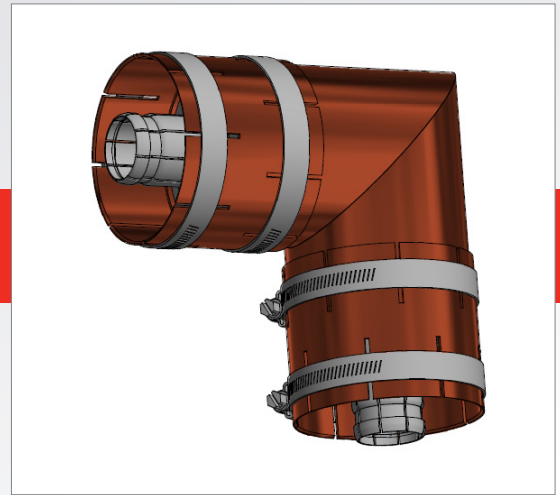
- V.S.W.R. = 1.0
- Ambient temperature 40°C (104°F)
- Atmospheric Pressure, Dry Air
- Inner Conductor Temperature 120°C (248°F)

UNFLANGED COAXIAL ELBOW

3-1/8" size, ZERO CUT

FEATURES

- unflanged coaxial elbow 3-1/8"
- low insertion losses
- low V.S.W.R
- indoor applications

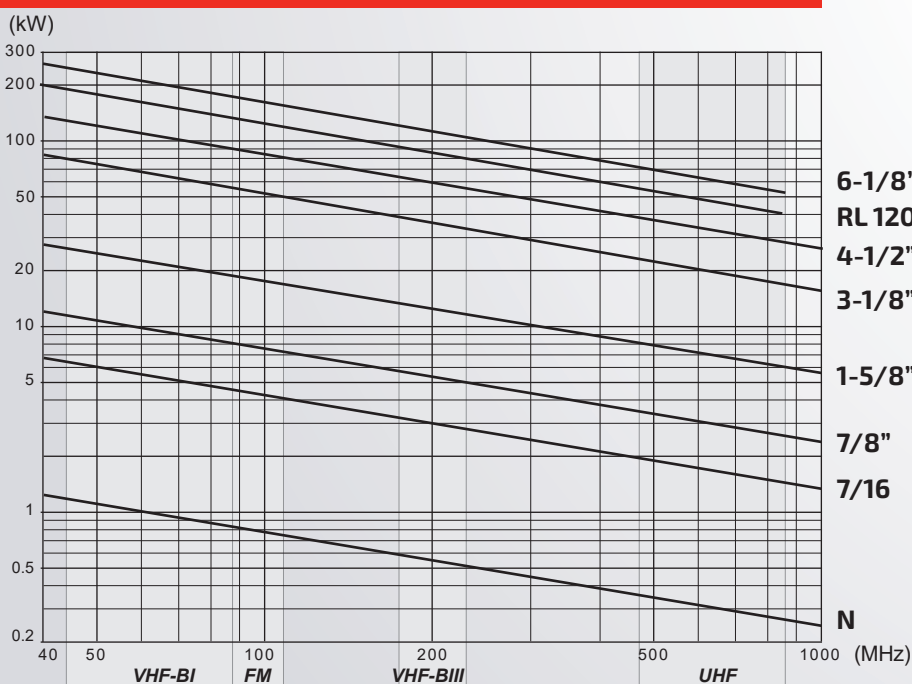


GENERAL FEATURES

| | |
|-----------------------------|--|
| FREQUENCY RANGE | FM BAND 87.5 ÷ 108 MHz |
| IMPEDANCE | 50 ohm |
| RETURN LOSS | ≥ 32 dB |
| MAX MEAN POWER | See table below |
| OPERATING TEMPERATURE RANGE | -40 ÷ +70° C (-40 to +158° F) |
| CONNECTORS | 3-1/8" Unfl. M |
| WEIGHT | 2.8 Kg |
| MATERIALS | <ul style="list-style-type: none"> - External body: Copper / Brass - Inner conductor: Silver plated: copper / brass - Insulator: High quality virgin Teflon |
| EXTERNAL FINISHING | None / Painted black (optional) |

Note: F = female

MAX MEAN POWER



STANDARD CONDITIONS:

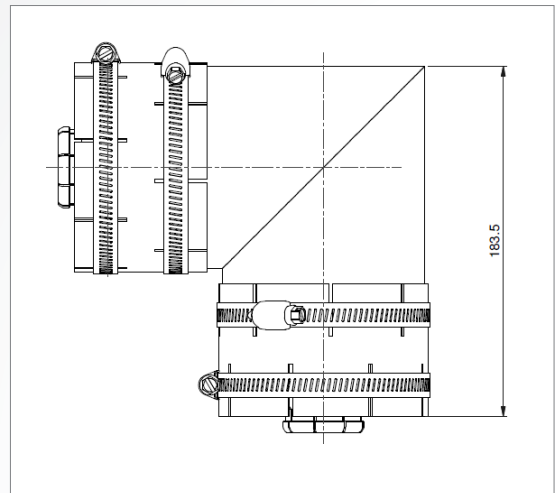
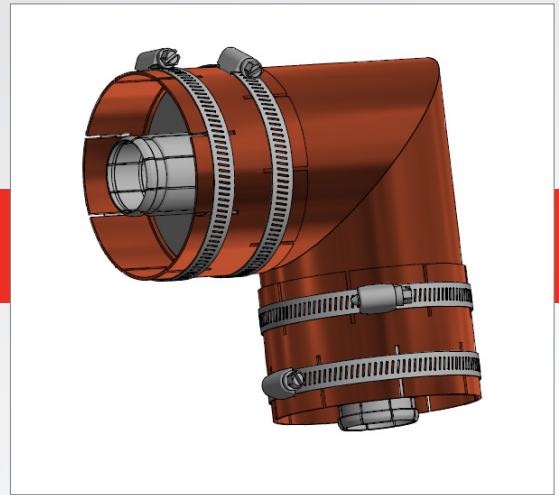
- V.S.W.R. = 1.0
- Ambient temperature 40°C (104°F)
- Atmospheric Pressure, Dry Air
- Inner Conductor Temperature 120°C (248°F)

UNFLANGED COAXIAL ELBOW

4-1/2" size, ZERO CUT

FEATURES

- unflanged coaxial elbow 4-1/2"
- low insertion losses
- low V.S.W.R
- indoor applications

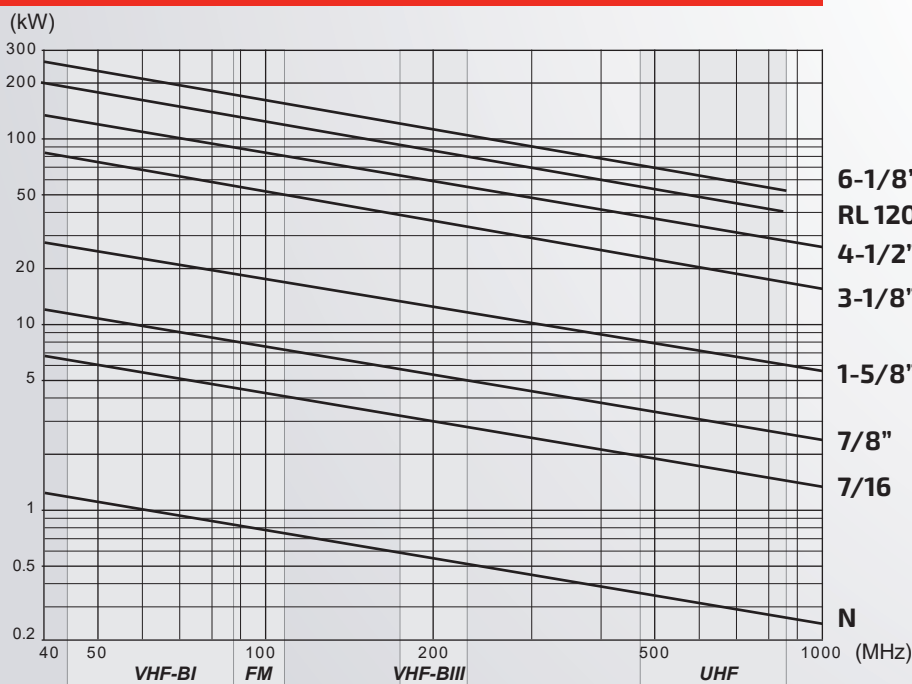


GENERAL FEATURES

| | |
|-----------------------------|--|
| FREQUENCY RANGE | FM BAND 87.5 ÷ 108 MHz |
| IMPEDANCE | 50 ohm |
| RETURN LOSS | ≥ 32 dB |
| MAX MEAN POWER | See table below |
| OPERATING TEMPERATURE RANGE | -40 ÷ +70° C (-40 to +158° F) |
| CONNECTORS | 4-1/2" Unfl. M |
| WEIGHT | 6.9 Kg |
| MATERIALS | <ul style="list-style-type: none"> - External body: Copper / Brass - Inner conductor: Silver plated: copper / brass - Insulator: High quality virgin Teflon |
| EXTERNAL FINISHING | None / Painted black (optional) |

Note: F = female

MAX MEAN POWER



STANDARD CONDITIONS:

- V.S.W.R. = 1.0
- Ambient temperature 40°C (104°F)
- Atmospheric Pressure, DryAir
- Inner Conductor Temperature 120°C (248°F)